

OG011A 1543x550

Height: 1543

Width: 550

Depth: 168

Weight HO: 13.5 kg

EO: 19.5 kg

Tube ϕ : 32 Hex

Face-Face Connections: 378

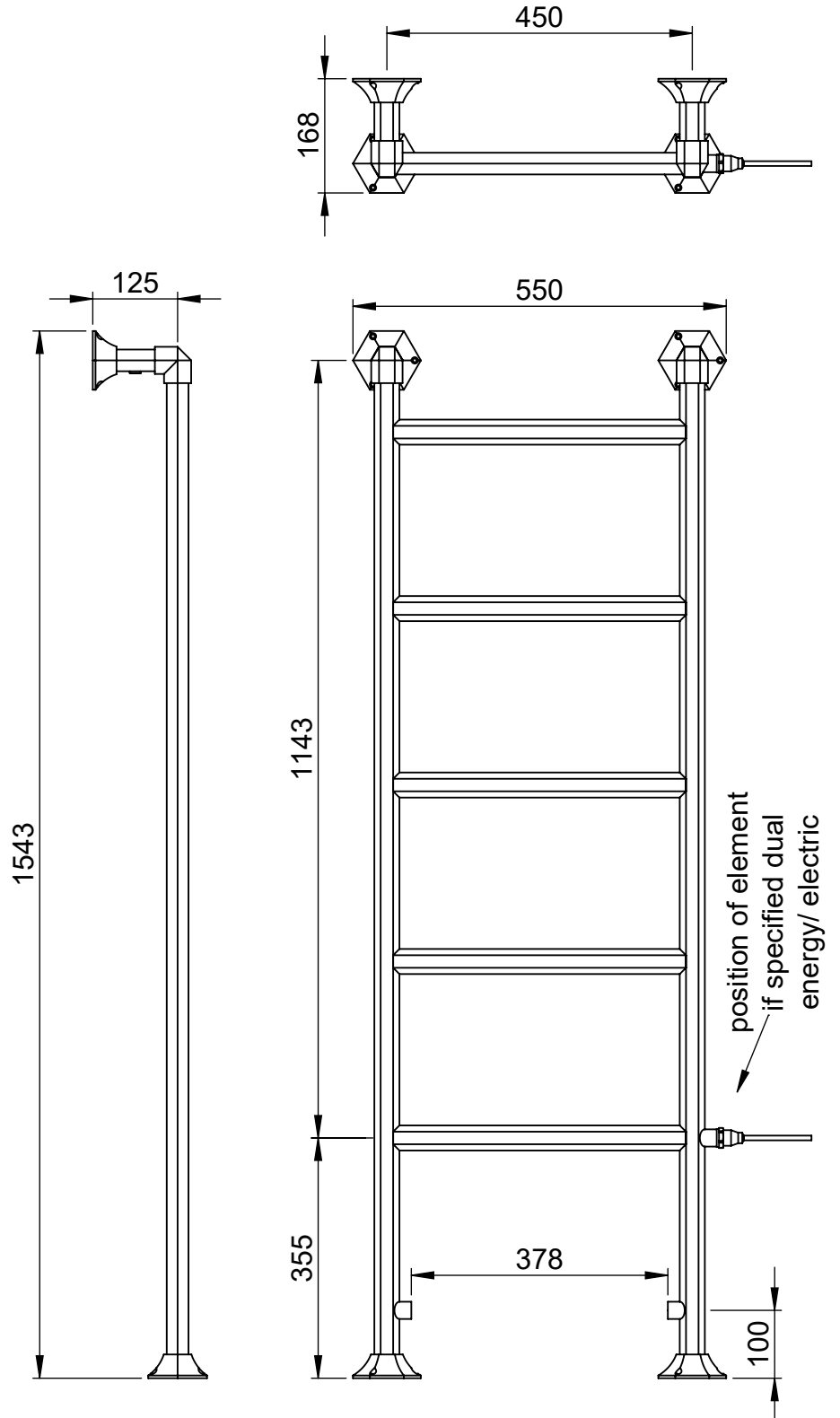
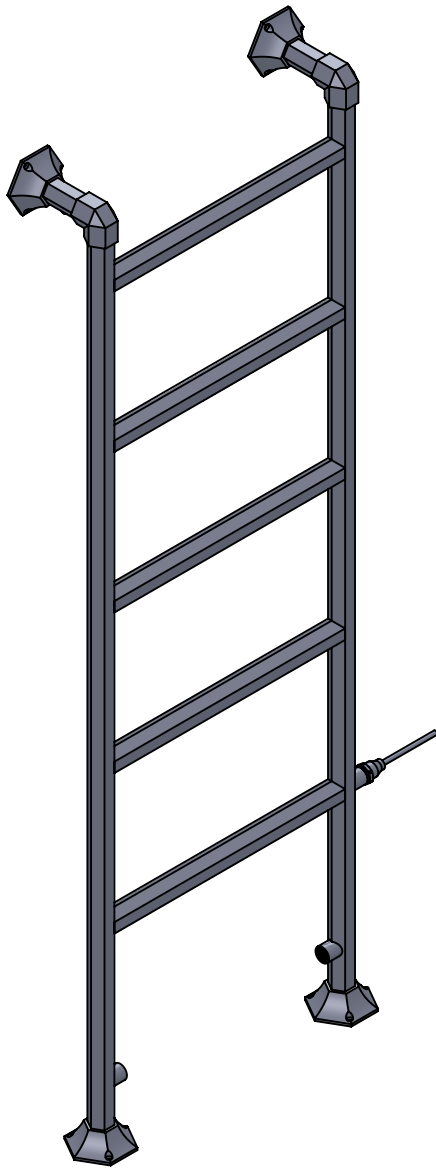
Elec. element if specified: 125

Output @ 50° C Δ T Watts: 318

BTUs: 1085

All dimensions in millimetres

Manufactured from ISO/CEN CuZn36As (BS CZ126) brass tube



Vogue UK Ltd. reserve the right to alter specifications without prior notice.
ALL MEASUREMENTS ARE NOMINAL DIMENSIONS ONLY, AND ARE NOT BINDING.



SCALE 1:10

VOGUE
TOWEL WARMERS & RADIATORS

Strawberry Lane, Willenhall
West Midlands WV13 3RS
Tel: 01902 387000 Fax: 01902 387001
e-mail:sales@vogueuk.co.uk www.vogueuk.co.uk