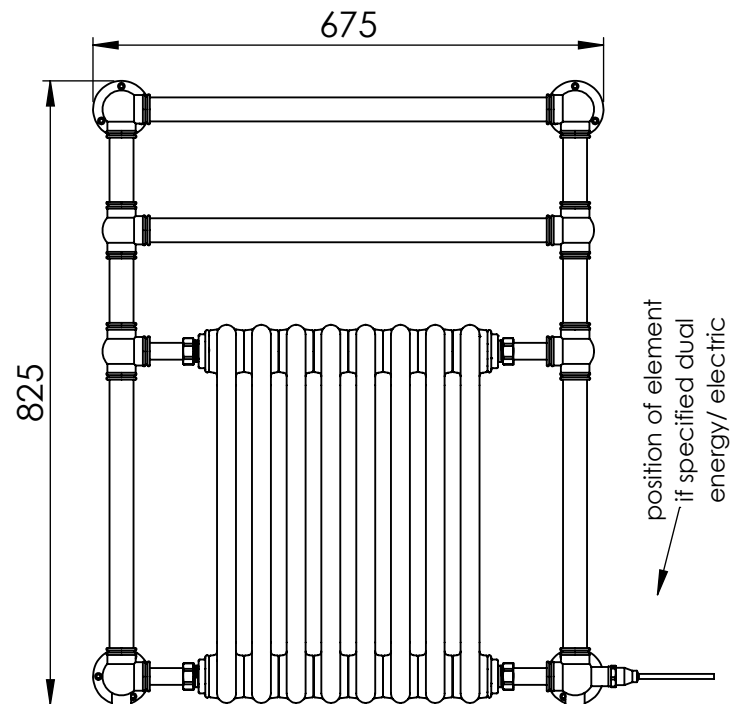
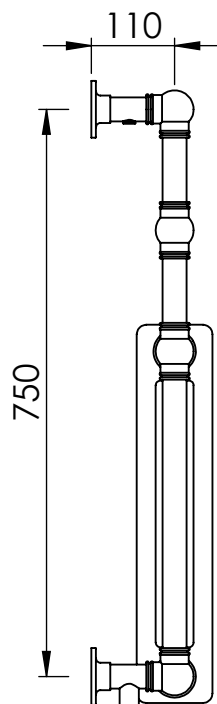
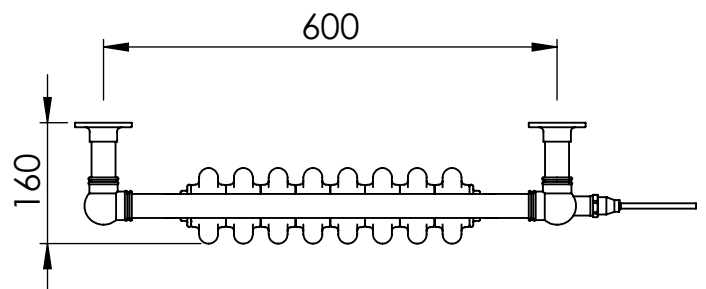
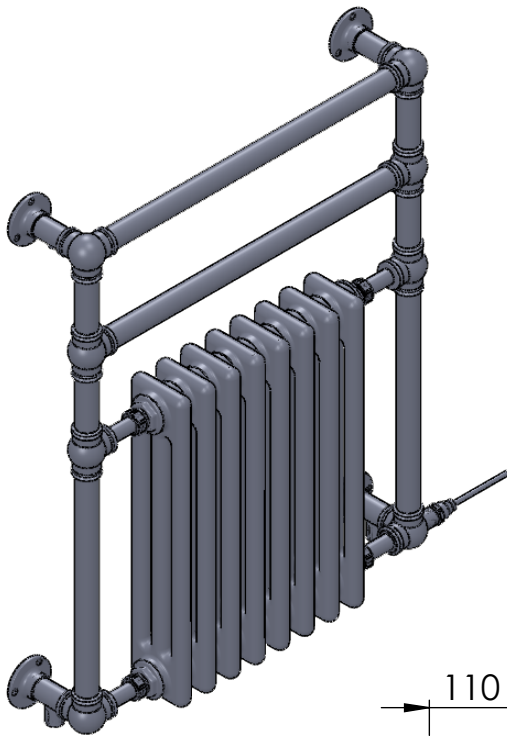


OG009B 825x675

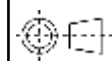
Height: 825 Tube ϕ : 31.8
 Width: 675 Pipe Centres / Face-Face Cons: 600
 Depth: 160 Elec. element if specified: 400 W
 Weight HO: 17.5 kg Output @ 50° C Δ T Watts: 570 W
 EO: 24.5 kg BTUs: 1945 W

All dimensions in millimetres

Manufactured from ISO/CEN CuZn30As (BS CZ126) brass tube



Vogue UK Ltd. reserve the right to alter specifications without prior notice.
 ALL MEASUREMENTS ARE NOMINAL DIMENSIONS ONLY, AND ARE NOT BINDING.



SCALE 1:10

VOGUE
 TOWEL WARMERS & RADIATORS

Strawberry Lane, Willenhall
 West Midlands WV13 3RS
 Tel: 01902 387000 Fax: 01902 387001
 e-mail:sales@vogueuk.co.uk www.vogueuk.co.uk