

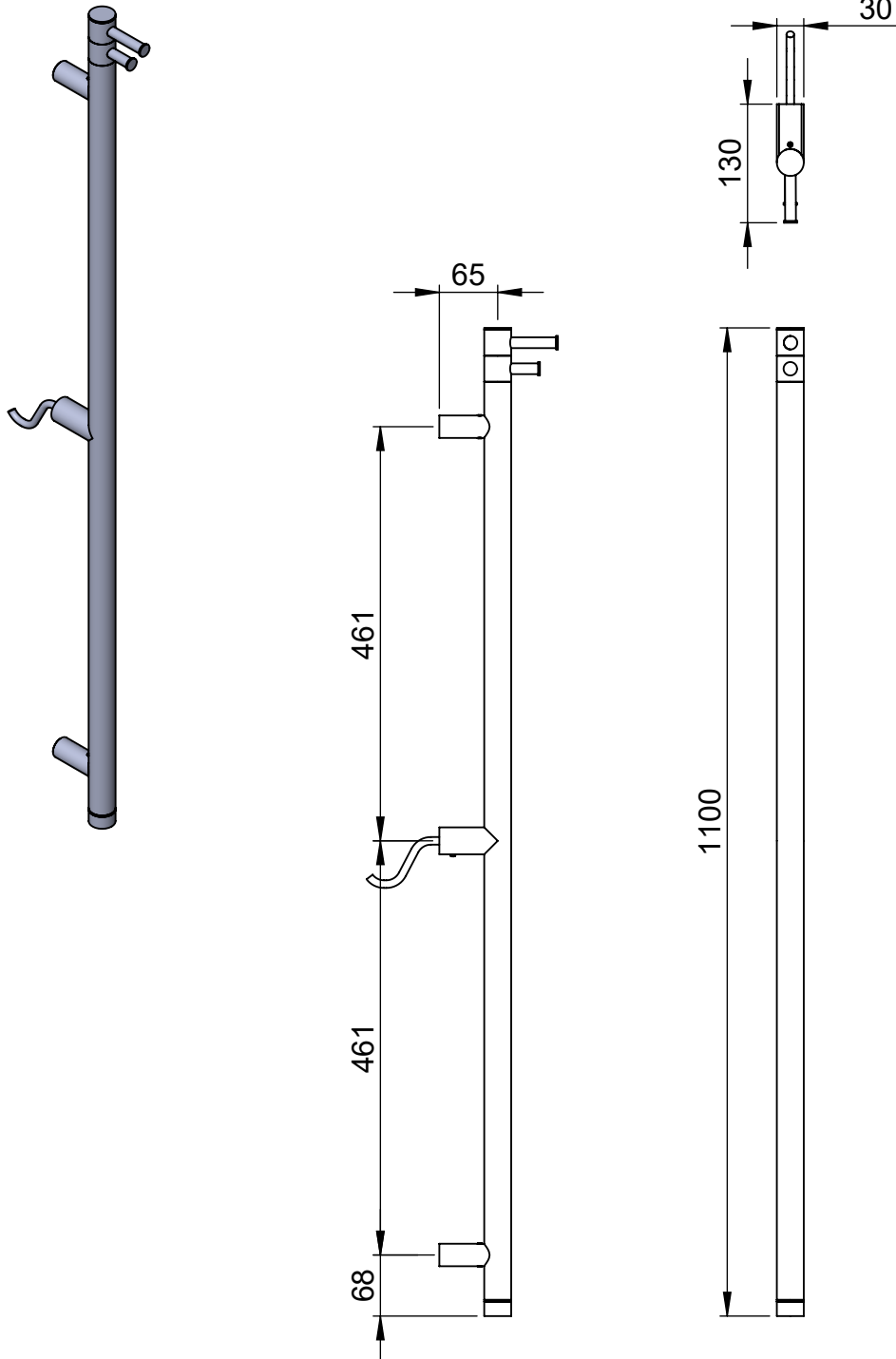
EL040 1100x30

Height: 1100
Width: 30
Depth: 130
Weight HO: kg
EO: kg

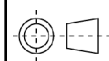
Tube ϕ : 30
Pipe Centres: n/a
Elec. element if specified: 28-30
Output @ 50°C Δ T Watts: n/a
BTUs: n/a

All dimensions in millimetres

Manufactured from 1.4301/X5CrNi18-10 stainless steel



Vogue UK Ltd. reserve the right to alter specifications without prior notice.
ALL MEASUREMENTS ARE NOMINAL DIMENSIONS ONLY, AND ARE NOT BINDING.



SCALE 1:8

VOGUE
TOWEL WARMERS & RADIATORS

Strawberry Lane, Willenhall
West Midlands WV13 3RS
Tel: 01902 387000 Fax: 01902 387001
e-mail: sales@vogueuk.co.uk www.vogueuk.co.uk