

# EL021 620x450

Height: 620

Width: 450

Depth: 120

Weight HO: 5.5 kg

EO: 12.5 kg

Tube  $\phi$  : 40sq + 40x20

Pipe Centres: 410

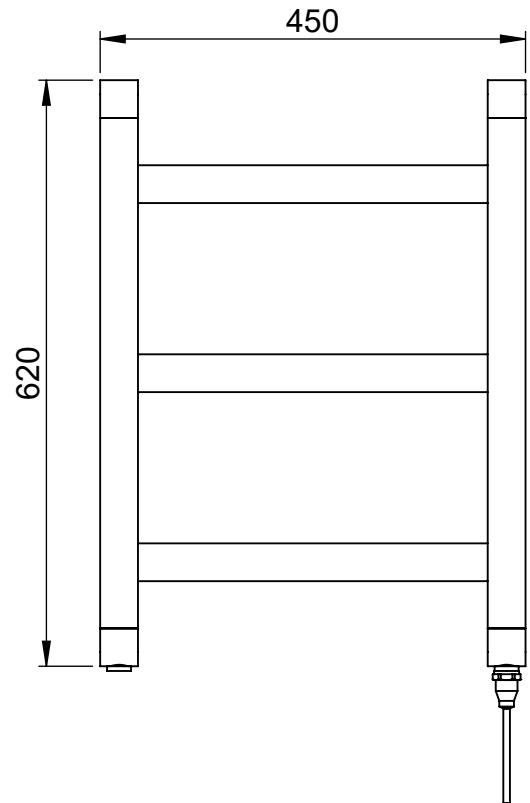
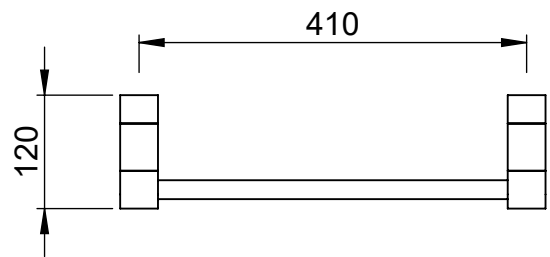
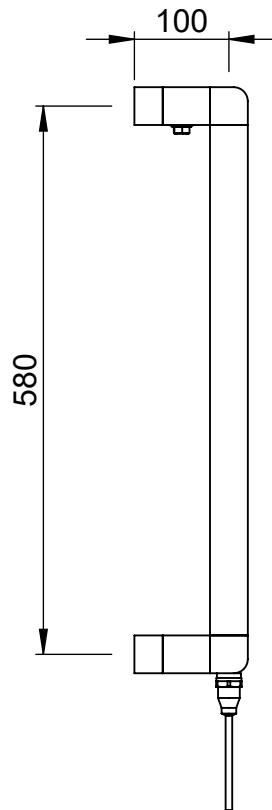
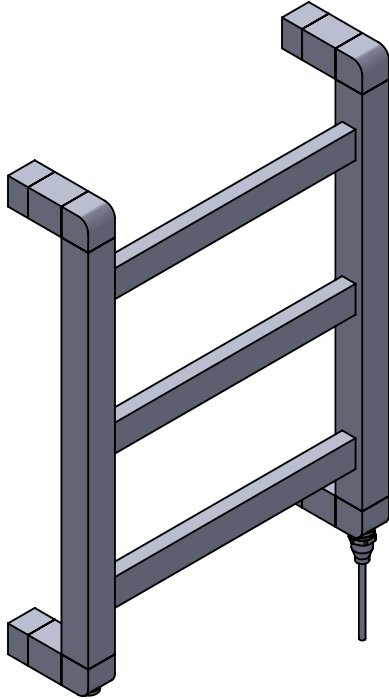
Elec. element if specified: 100

Output @ 50° C  $\Delta$  T Watts: n/a

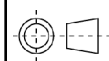
BTUs: n/a

All dimensions in millimetres

Manufactured from Mild Steel



Vogue UK Ltd. reserve the right to alter specifications without prior notice.  
ALL MEASUREMENTS ARE NOMINAL DIMENSIONS ONLY, AND ARE NOT BINDING.



SCALE 1:8

**VOGUE**  
TOWEL WARMERS & RADIATORS

Strawberry Lane, Willenhall  
West Midlands WV13 3RS  
Tel: 01902 387000 Fax: 01902 387001  
e-mail:sales@vogueuk.co.uk www.vogueuk.co.uk