

CN024 750x475

Height: 750

Width: 475

Depth: 105

Weight HO: 5.5 kg

EO: 9.5 kg

Tube ϕ : 31.8

Pipe Centres: 400

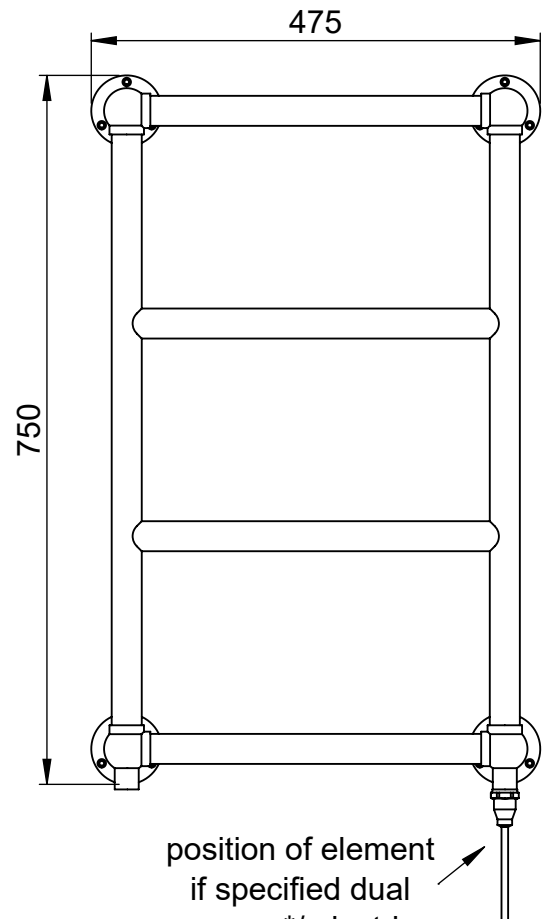
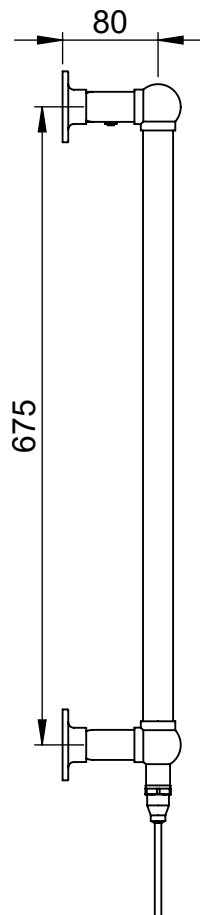
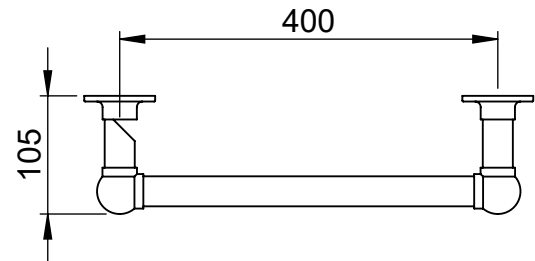
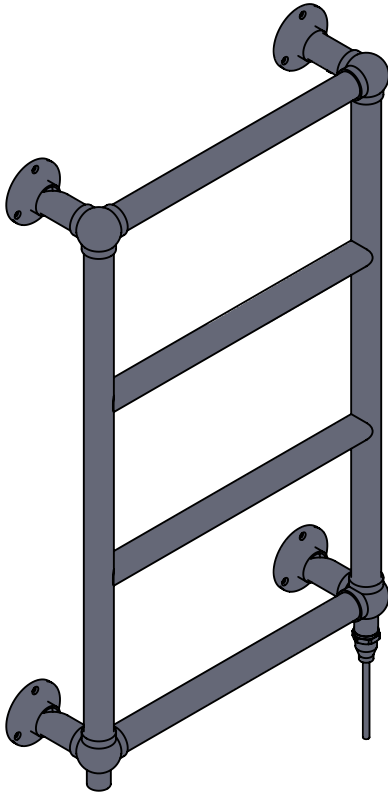
Elec. element if specified: 100

Output @ 50° C Δ T Watts: 169

BTUs: 577

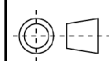
All dimensions in millimetres

Manufactured from ISO/CEN CuZn36As (BS CZ126) brass tube



*Dual energy models require a conversion-tee, consult relevant drawing for details.

Vogue UK Ltd. reserve the right to alter specifications without prior notice.
ALL MEASUREMENTS ARE NOMINAL DIMENSIONS ONLY, AND ARE NOT BINDING.



SCALE 1:8

VOGUE
TOWEL WARMERS & RADIATORS

Strawberry Lane, Willenhall
West Midlands WV13 3RS
Tel: 01902 387000 Fax: 01902 387001
e-mail:sales@vogueuk.co.uk www.vogueuk.co.uk