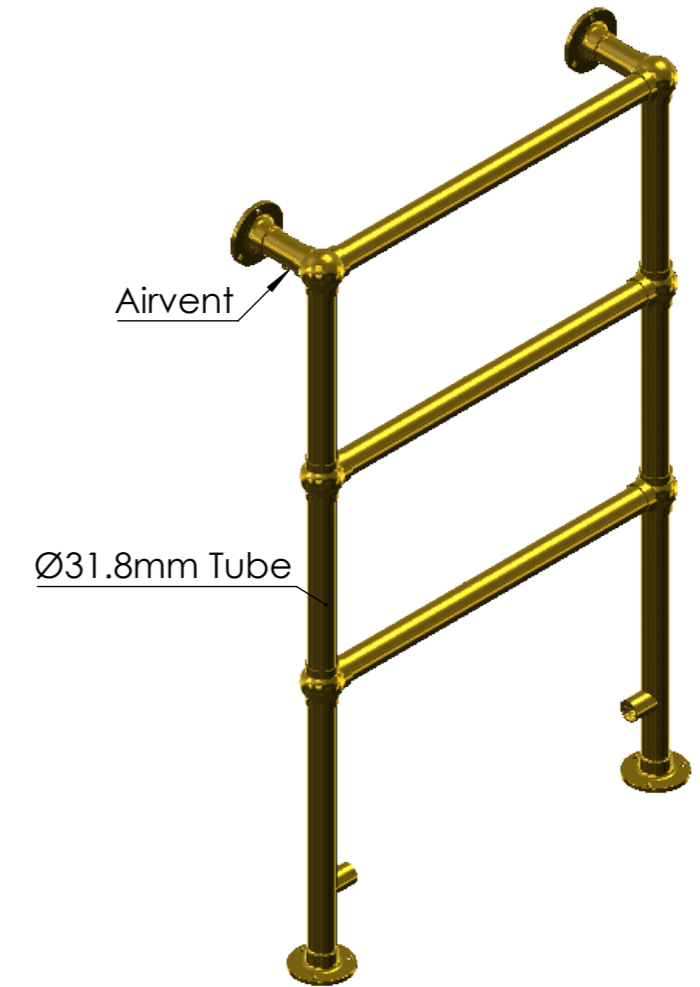
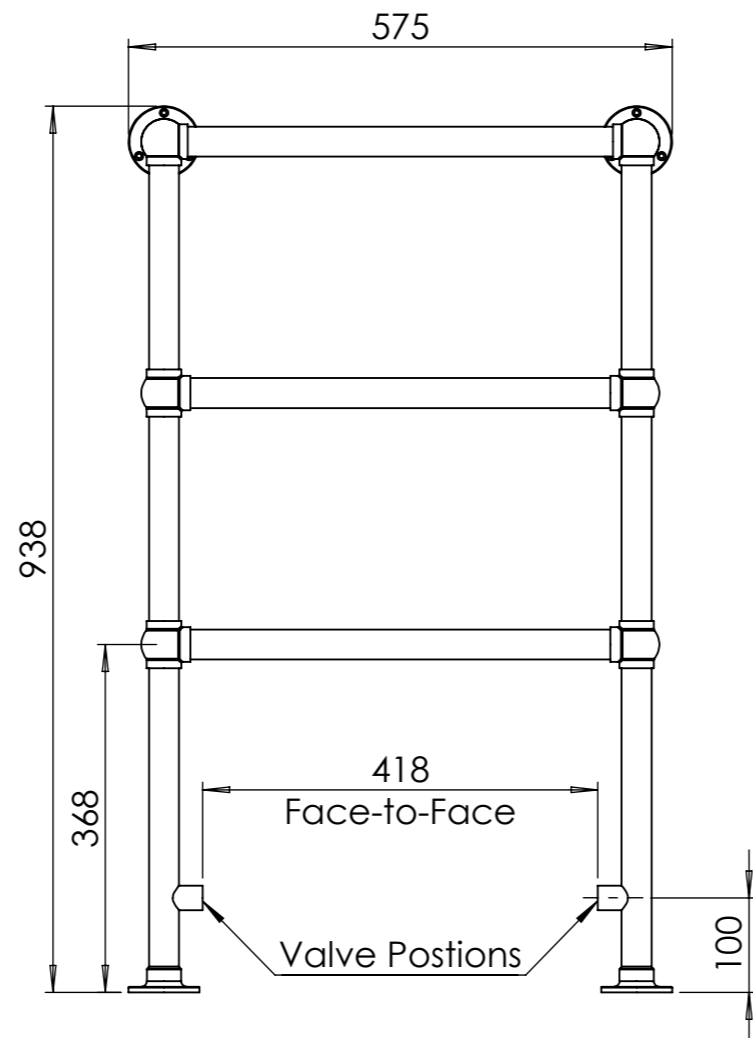
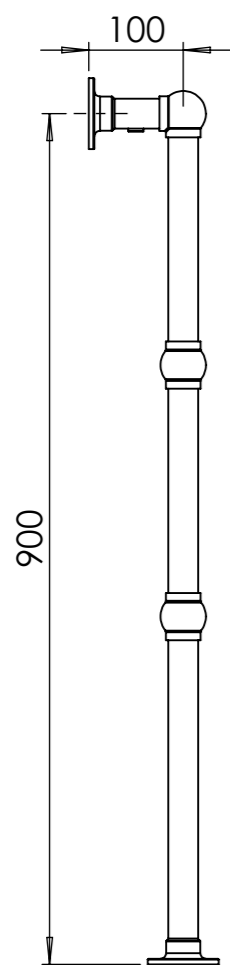
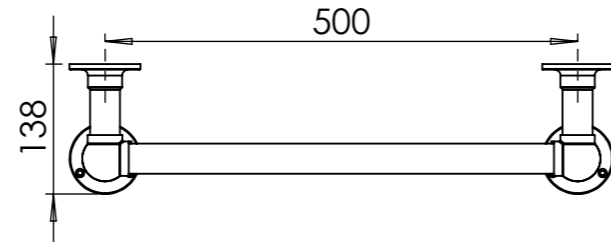


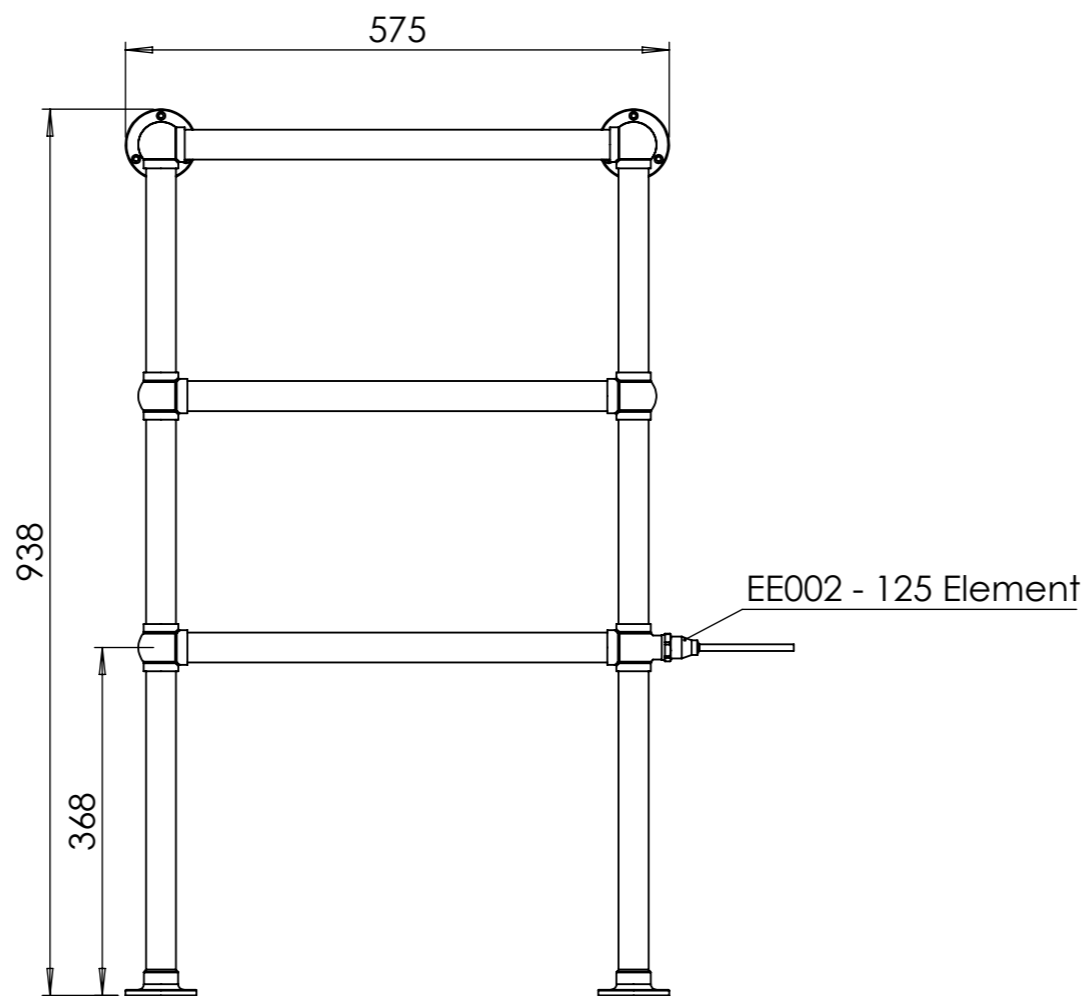
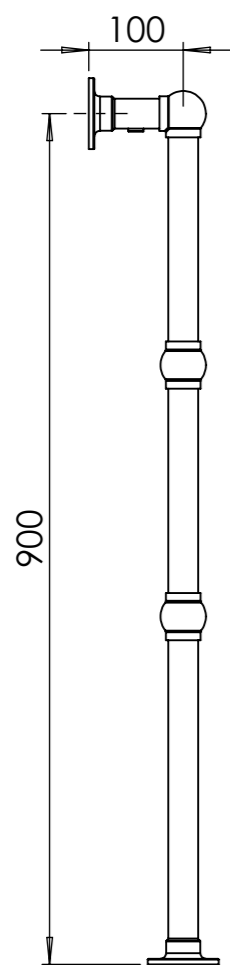
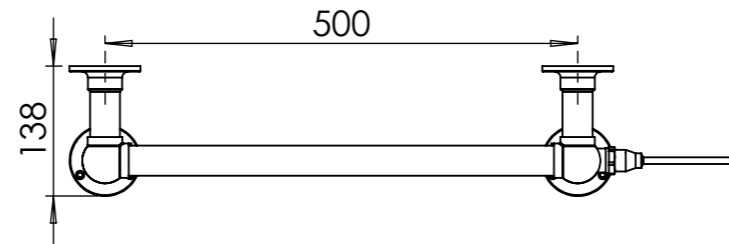
PRODUCT FAMILY: Legacy
 DWG NO: LG024C 938x575 HE
 MATERIAL: Brass Tube CuZn36A
 WEIGHT: 6.4kg
 VOLUME: 2.8lt
 OUTPUT@50°CΔT: 220w & 751BTUs
 FLOW RATE @20°CΔT: 9lt
 REVISION: 001
 TOLERANCE: +/-1.5%
 SCALE:1:10

Vogue UK Ltd. reserves the right to amend specifications without prior notification.
 All measurements provided are intended as nominal dimensions only and shall not be considered legally binding.



PRODUCT FAMILY: Legacy
 DWG NO: LG024C 938x575 HO
 MATERIAL: Brass Tube CuZu36A
 WEIGHT: 6.4kg
 VOLUME: 2.8lt
 OUTPUT@50°CΔT: 220w & 751BTUs
 FLOW RATE @20°CΔT: 9lt
 REVISION: 001
 TOLERANCE: +/-1.5%
 SCALE:1:10

Vogue UK Ltd. reserves the right to amend specifications without prior notification.
 All measurements provided are intended as nominal dimensions only and shall not be considered legally binding.



PRODUCT FAMILY: Legacy
 DWG NO: LG024C 938x575 EO
 MATERIAL: Brass Tube CuZn36A
 WEIGHT: 6.4kg
 VOLUME: 2.8lt
 OUTPUT@50°CΔT: 220w & 751BTUs
 FLOW RATE @20°CΔT: 9lt
 REVISION: 001
 TOLERANCE: +/-1.5%
 SCALE:1:10

Vogue UK Ltd. reserves the right to amend specifications without prior notification.
 All measurements provided are intended as nominal dimensions only and shall not be considered legally binding.