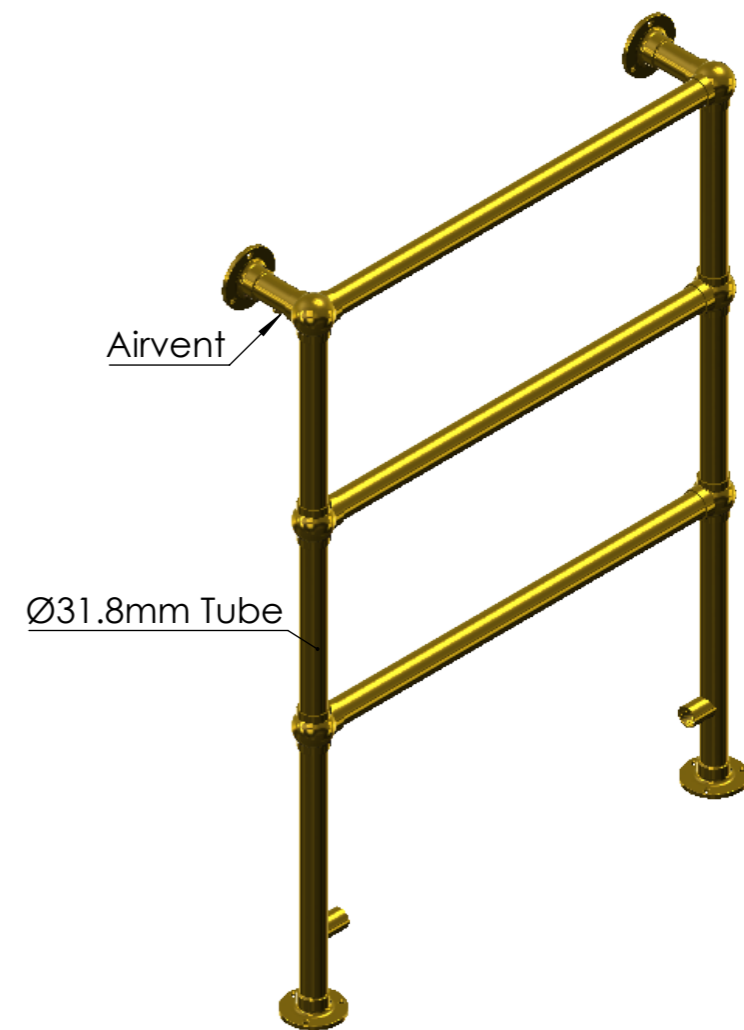
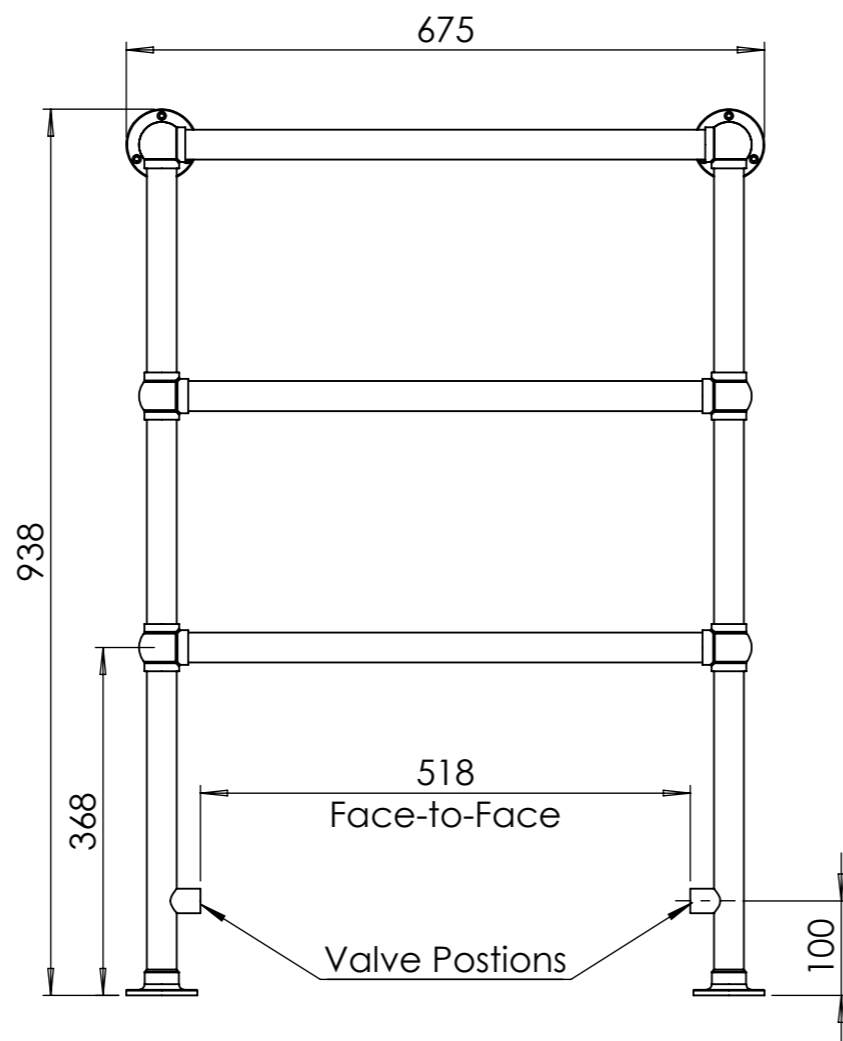
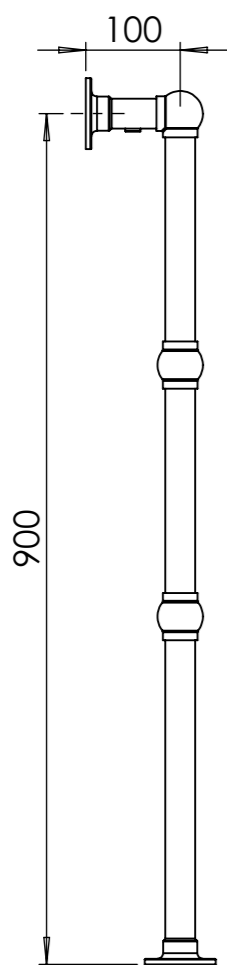
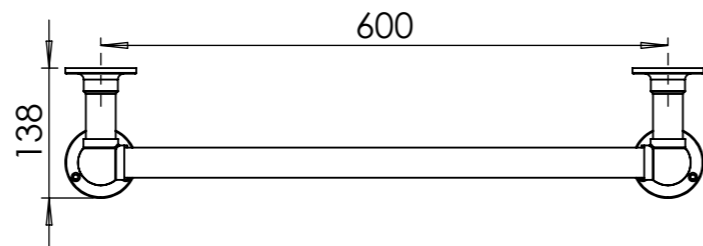


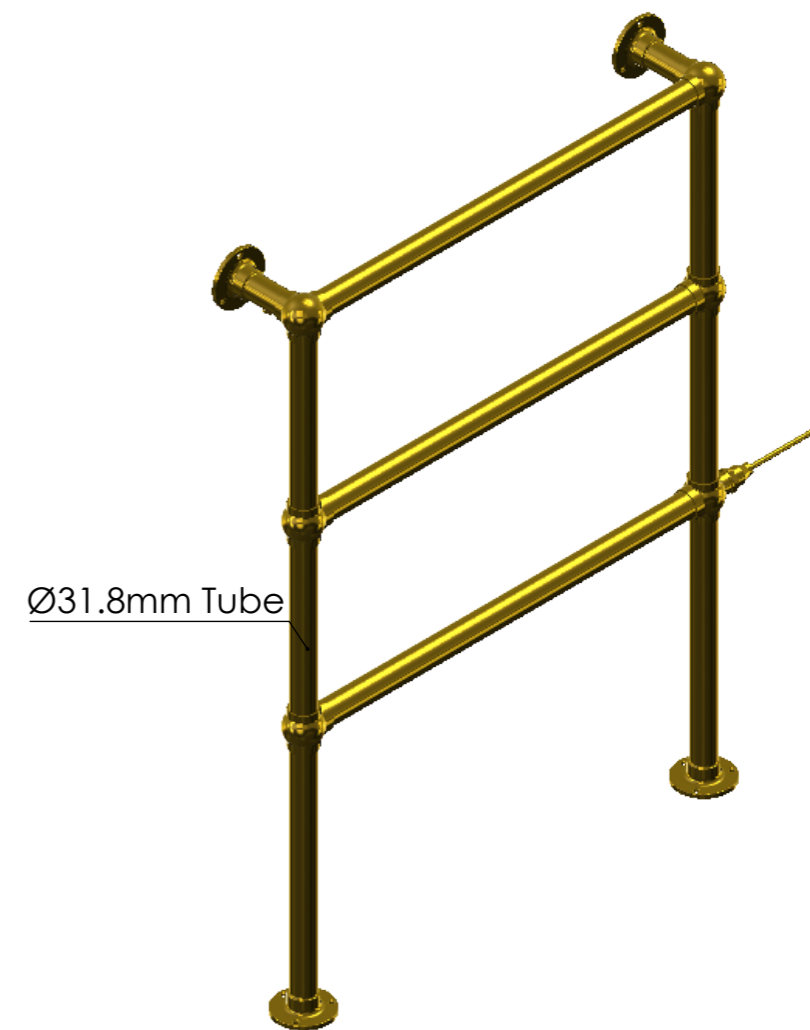
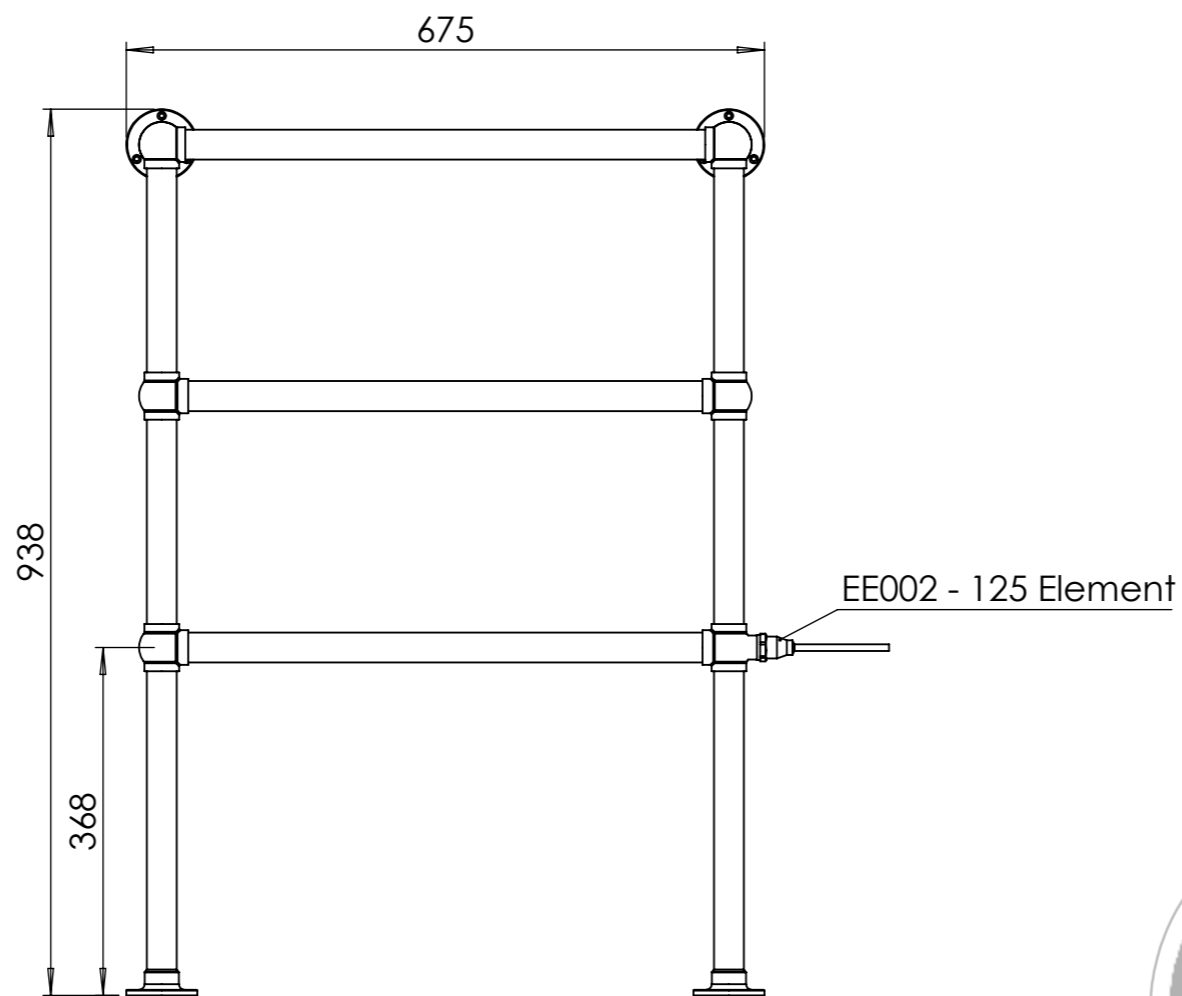
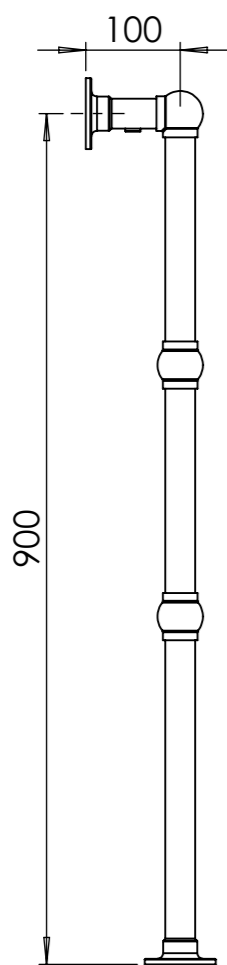
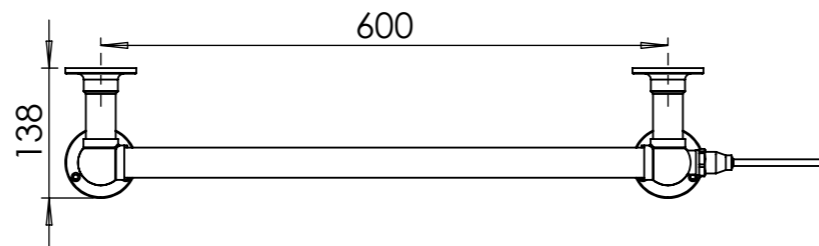
PRODUCT FAMILY: Legacy
 DWG NO: LG024A 938x675 HE
 MATERIAL: Brass Tube CuZu36A
 WEIGHT: 7.4kg
 VOLUME: 3lt
 OUTPUT@50°CΔT: 238w & 811BTUs
 FLOW RATE @20°CΔT: 10lt
 REVISION: 001
 TOLERANCE: +/-1.5%
 SCALE:1:10

Vogue UK Ltd. reserves the right to amend specifications without prior notification.
 All measurements provided are intended as nominal dimensions only and shall not be considered legally binding.



PRODUCT FAMILY: Legacy
 DWG NO: LG024A 938x675 HO
 MATERIAL: Brass Tube CuZn36A
 WEIGHT: 7.4kg
 VOLUME: 3lt
 OUTPUT@50°CΔT: 238w & 811BTUs
 FLOW RATE @20°CΔT: 10lt
 REVISION: 001
 TOLERANCE: +/-1.5%
 SCALE:1:10

Vogue UK Ltd. reserves the right to amend specifications without prior notification.
 All measurements provided are intended as nominal dimensions only and shall not be considered legally binding.



PRODUCT FAMILY: Legacy
 DWG NO: LG024A 938x675 EO
 MATERIAL: Brass Tube CuZu36A
 WEIGHT: 7.4kg
 VOLUME: 3lt
 OUTPUT@50°CΔT: 238w & 811BTUs
 FLOW RATE @20°CΔT: 10lt
 REVISION: 001
 TOLERANCE: +/-1.5%
 SCALE:1:10

Vogue UK Ltd. reserves the right to amend specifications without prior notification.
 All measurements provided are intended as nominal dimensions only and shall not be considered legally binding.