

CN028-BR 950x500x90

Tube \varnothing : 25.4 mm

Electrical element: - 125 W

Weight: - kg

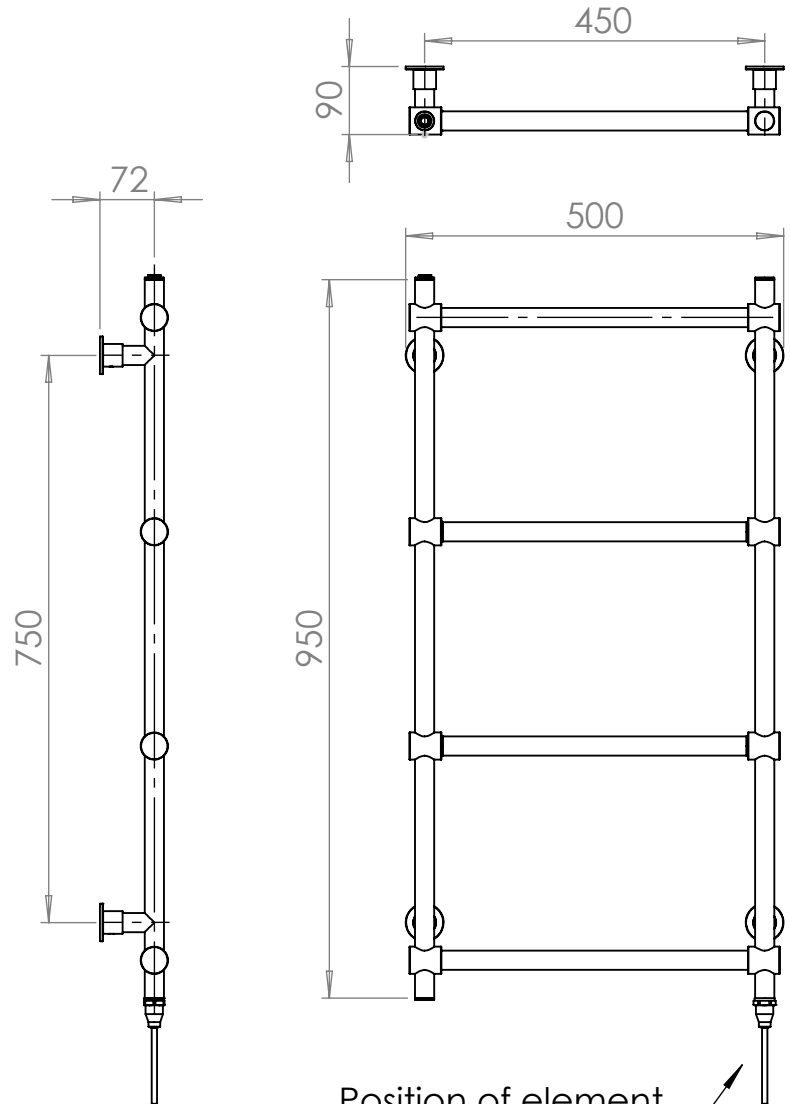
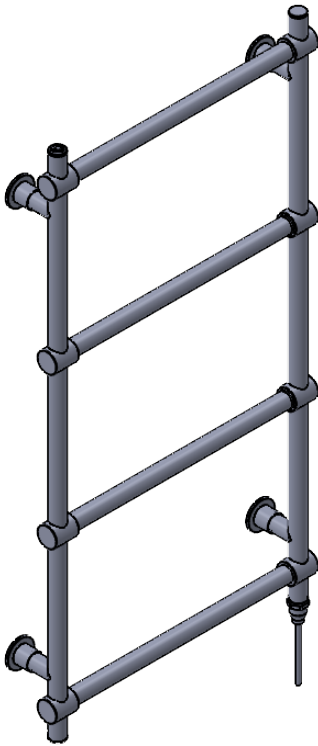
Output @50°C Δ T: 155 W
529 BTUs

Height: 950 mm

Width: 500 mm

Depth: 90 mm

Pipe Centres: 450 mm



Position of element
if specified dual
energy* / electric.

*Dual energy models require a conversion-tee (AC003), consult relevant drawing for details



All dimensions in millimetres

Manufactured from: ISO/CEN CuZn36As (BS CZ126) brass tube

Revision: 001

Approved by:

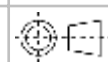
Drawn on: 3/2024

www.vogueuk.co.uk
01902 387000
sales@vogueuk.co.uk

www.vogueuk.eu
01902 387035
exportsales@vogueuk.co.uk

www.vogueuk.com
T: 508 887 8771 F: 508 887 8774
info@vogueuk.com

Vogue UK Ltd. reserve the right to alter specifications without prior notice.
ALL MEASUREMENTS ARE NOMINAL DIMENSIONS ONLY, AND ARE NOT BINDING.



Scale 1:10