

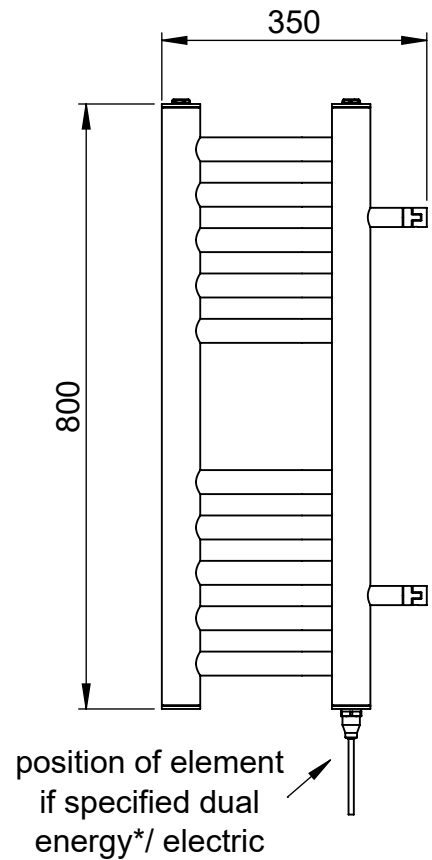
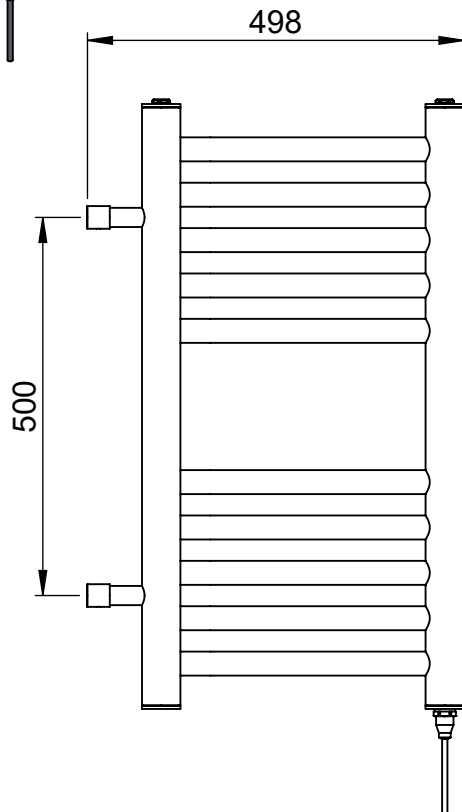
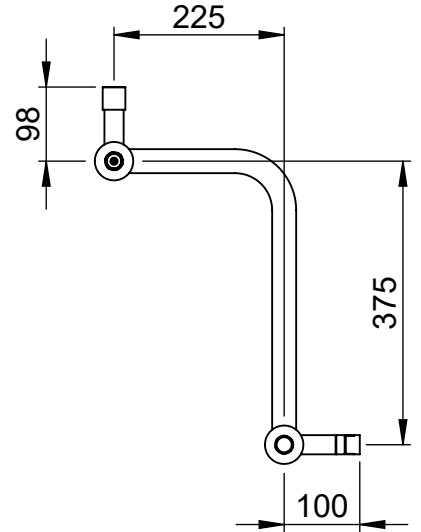
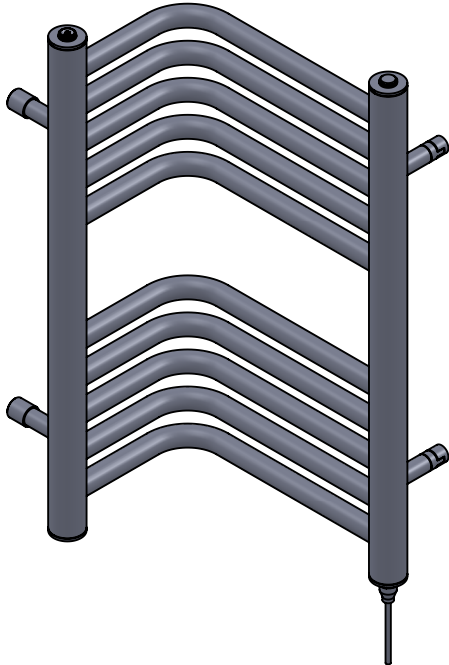
# CN013-BR 800x500

Height: 800  
Width: 500  
Depth: 350  
Weight HO: kg  
EO: kg

Tube  $\phi$ : 50.8 + 31.8  
Pipe Centres: 325+475  
Elec. element if specified: 100  
Output @ 50°C  $\Delta$  T Watts: 400  
BTUs: 1365

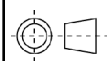
All dimensions in millimetres

Manufactured from ISO/CEN CuZn36As (BS CZ126) brass tube



\*Dual energy models require a conversion-tee, consult relevant drawing for details.

Vogue UK Ltd. reserve the right to alter specifications without prior notice.  
ALL MEASUREMENTS ARE NOMINAL DIMENSIONS ONLY, AND ARE NOT BINDING.



**SCALE 1:10**

**VOGUE**  
TOWEL WARMERS & RADIATORS

Strawberry Lane, Willenhall  
West Midlands WV13 3RS  
Tel: 01902 387000 Fax: 01902 387001  
e-mail:sales@vogueuk.co.uk www.vogueuk.co.uk