

# IN002B 140x1000

Height: 140

Width: 1000

Depth: 90

Weight HO: 9.5 kg

EO: 17.5 kg

Tube  $\phi$  : 40sq

End to End Connections: 1006

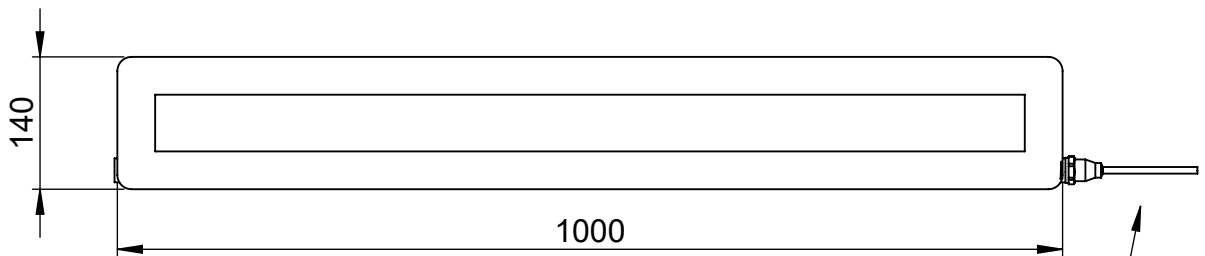
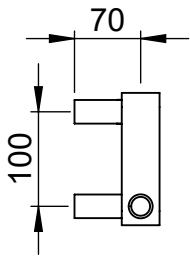
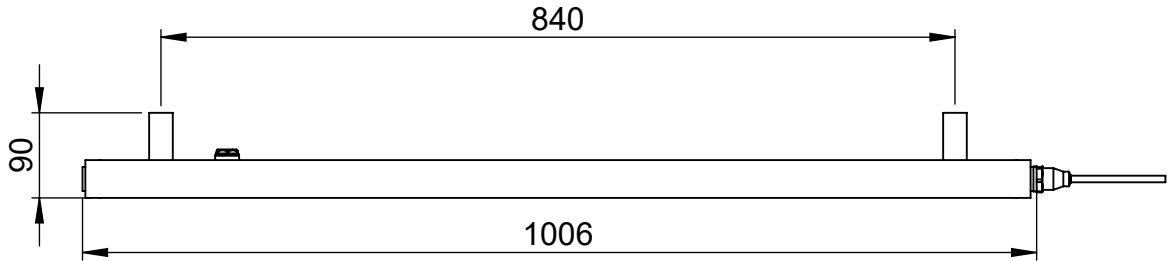
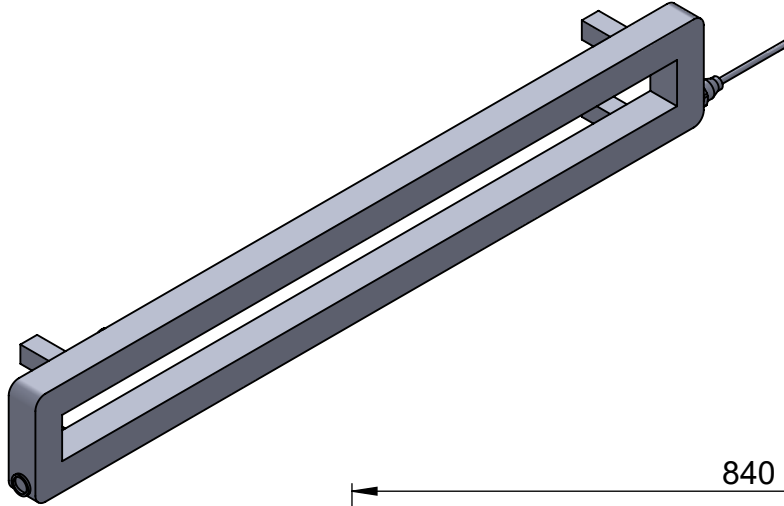
Elec. element if specified: 100

Output @ 50° C  $\Delta$  T Watts: 223

BTUs: 836

All dimensions in millimetres

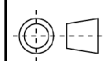
Manufactured from 1.4301/X5CrNi18-10 stainless steel



position of element  
if specified dual  
energy\*/ electric

\*Dual energy models require a conversion-tee, consult relevant drawing for details.

Vogue UK Ltd. reserve the right to alter specifications without prior notice.  
ALL MEASUREMENTS ARE NOMINAL DIMENSIONS ONLY, AND ARE NOT BINDING.



SCALE 1:8

**VOGUE**  
TOWEL WARMERS & RADIATORS

Strawberry Lane, Willenhall  
West Midlands WV13 3RS  
Tel: 01902 387000 Fax: 01902 387001  
e-mail:sales@vogueuk.co.uk www.vogueuk.co.uk