

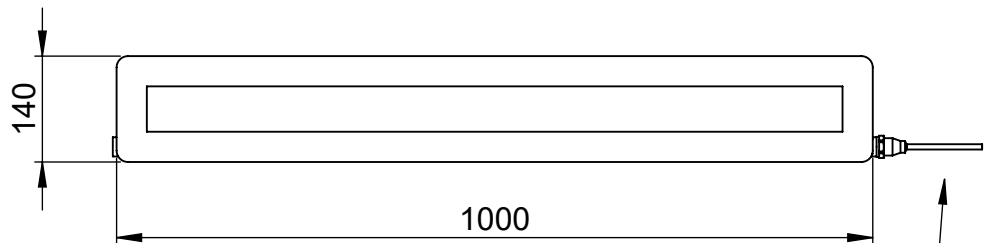
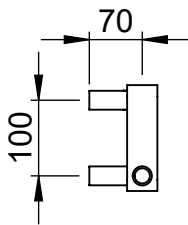
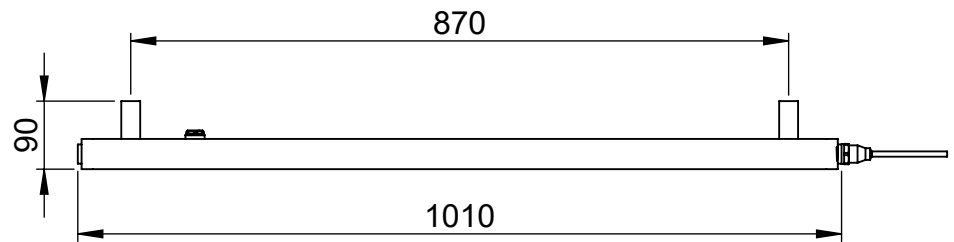
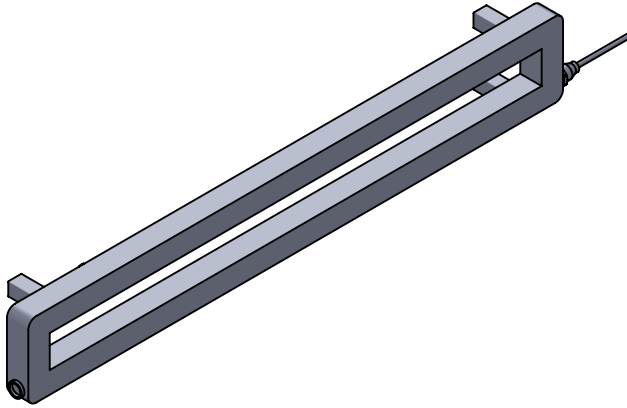
CN007B 140x1000

Height: 140
Width: 1000
Depth: 90
Weight HO: kg
EO: kg

Tube ϕ : 40sq
End to End Connections: 1010
Elec. element if specified: 100
Output @ 50°C Δ T Watts: 171
BTUs: 583

All dimensions in millimetres

Manufactured from Mild Steel



position of element
if specified dual
energy*/ electric

*Dual energy models require a conversion-tee, consult relevant drawing for details.

Vogue UK Ltd. reserve the right to alter specifications without prior notice.
ALL MEASUREMENTS ARE NOMINAL DIMENSIONS ONLY, AND ARE NOT BINDING.



SCALE 1:10

VOGUE
TOWEL WARMERS & RADIATORS

Strawberry Lane, Willenhall
West Midlands WV13 3RS
Tel: 01902 387000 Fax: 01902 387001
e-mail:sales@vogueuk.co.uk www.vogueuk.co.uk