

TM004 900x590

Height: 900

Width: 590

Depth: 214-232

Weight HO: 19.5 kg

EO: 34.5 kg

Tube ϕ : 25.4 + 22

Pipe Centres: 500

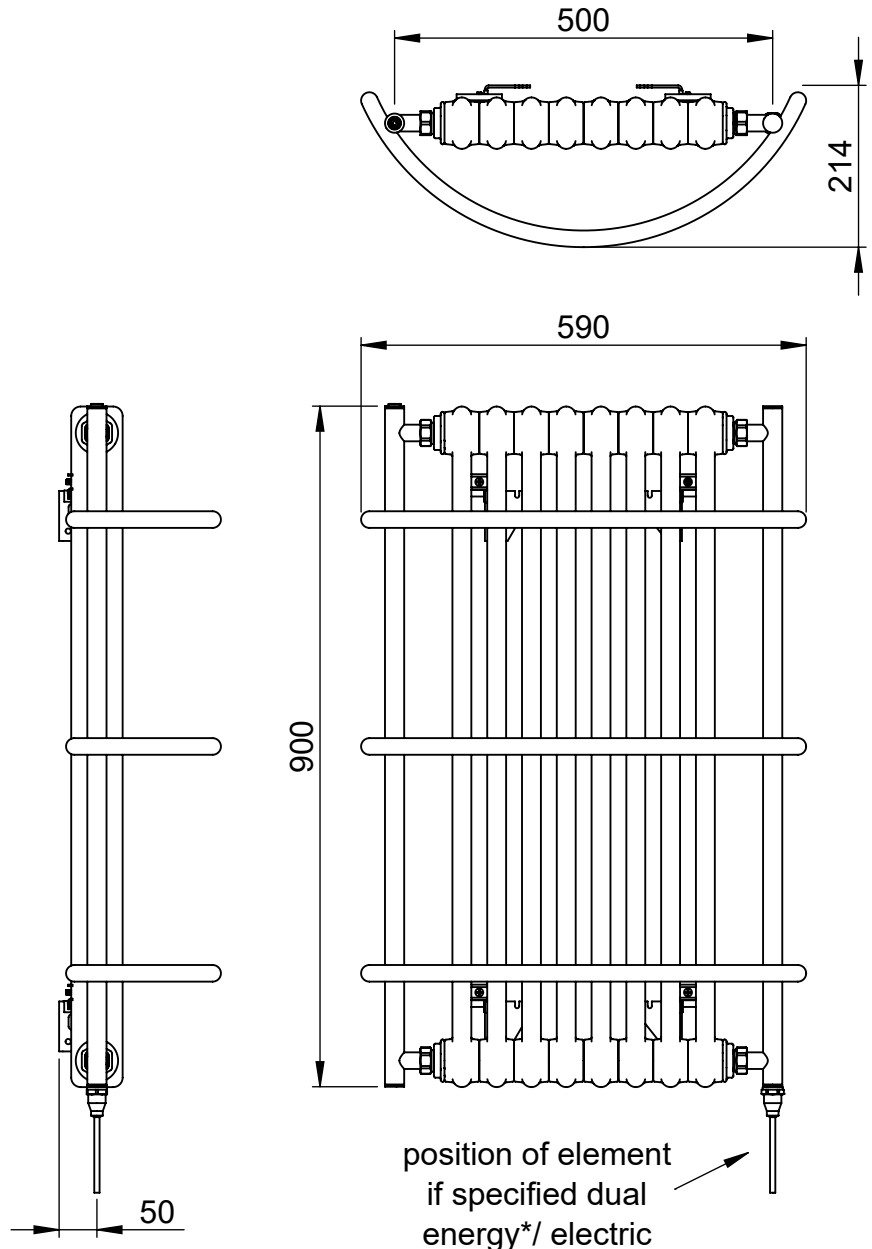
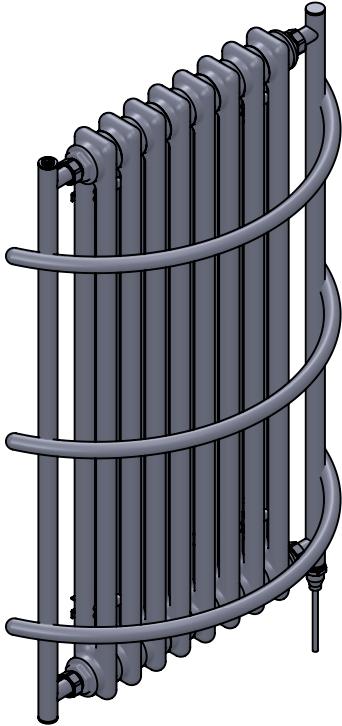
Elec. element if specified: 400

Output @ 50° C Δ T Watts: 699

BTUs:2382

All dimensions in millimetres

Manufactured from ISO/CEN CuZn36As (BS CZ126) brass tube



*Dual energy models require a conversion-tee, consult relevant drawing for details.

Vogue UK Ltd. reserve the right to alter specifications without prior notice.
ALL MEASUREMENTS ARE NOMINAL DIMENSIONS ONLY, AND ARE NOT BINDING.



SCALE 1:10

VOGUE
TOWEL WARMERS & RADIATORS

Strawberry Lane, Willenhall
West Midlands WV13 3RS
Tel: 01902 387000 Fax: 01902 387001
e-mail:sales@vogueuk.co.uk www.vogueuk.co.uk