

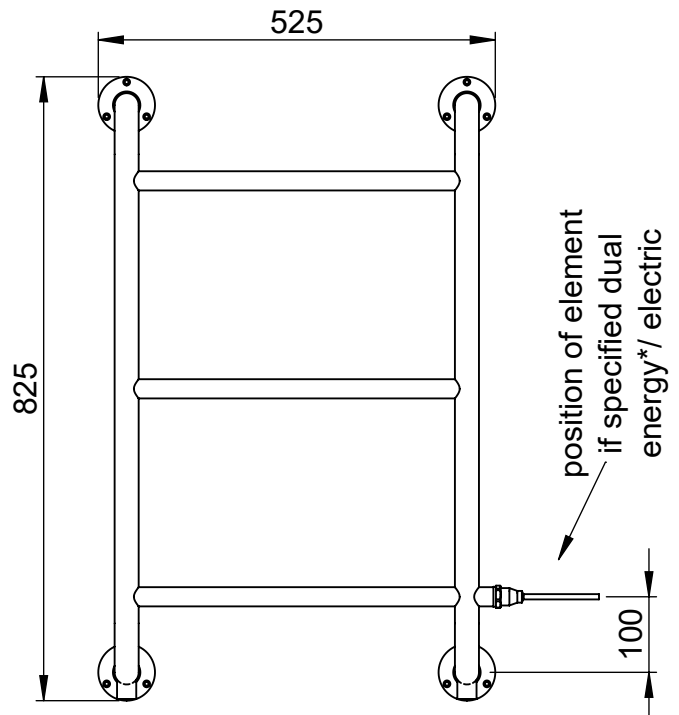
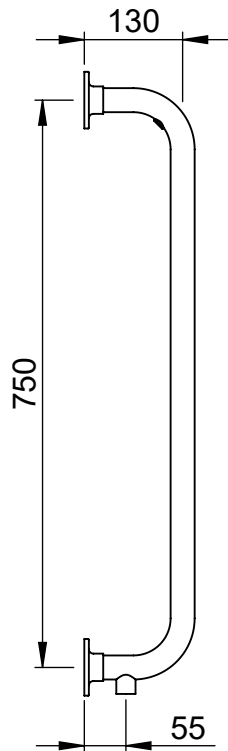
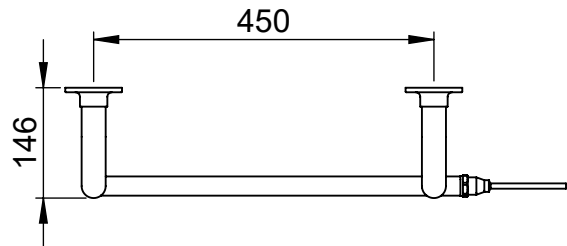
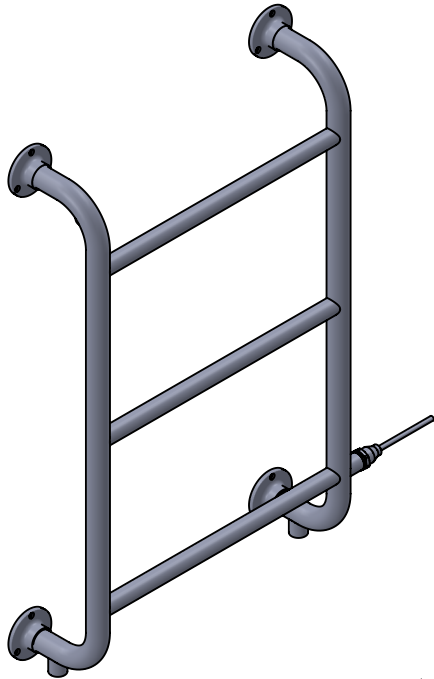
# CN023 825x525

Height: 825  
Width: 525  
Depth: 146  
Weight HO: kg  
EO: kg

Tube  $\phi$  : 31.8 + 25.4  
Pipe Centres: 450  
Elec. element if specified: 75  
Output @ 50° C  $\Delta$  T Watts: 136  
BTUs: 464

All dimensions in millimetres

Manufactured from ISO/CEN CuZn36As (BS CZ126) brass tube



Vogue UK Ltd. reserve the right to alter specifications without prior notice.  
ALL MEASUREMENTS ARE NOMINAL DIMENSIONS ONLY, AND ARE NOT BINDING.



SCALE 1:10

**VOGUE**  
TOWEL WARMERS & RADIATORS

Strawberry Lane, Willenhall  
West Midlands WV13 3RS  
Tel: 01902 387000 Fax: 01902 387001  
e-mail:sales@vogueuk.co.uk www.vogueuk.co.uk