

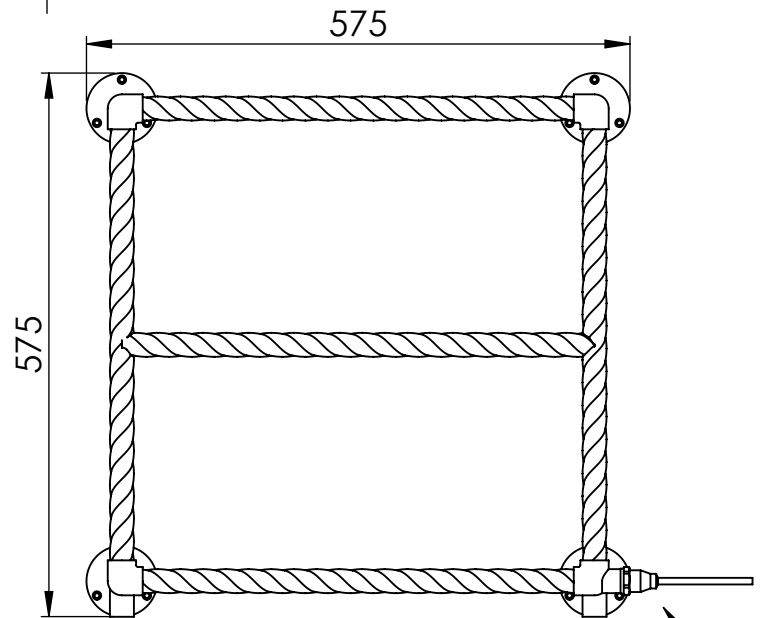
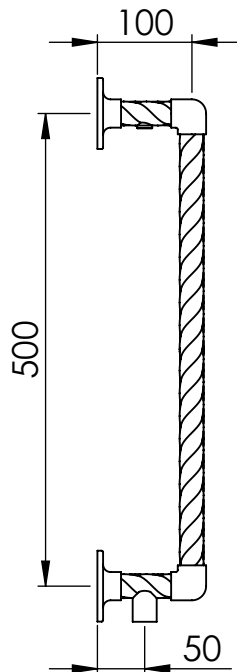
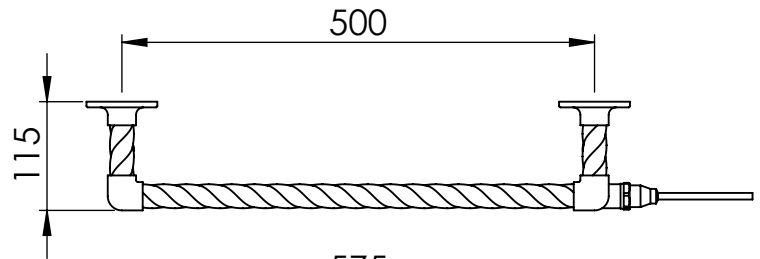
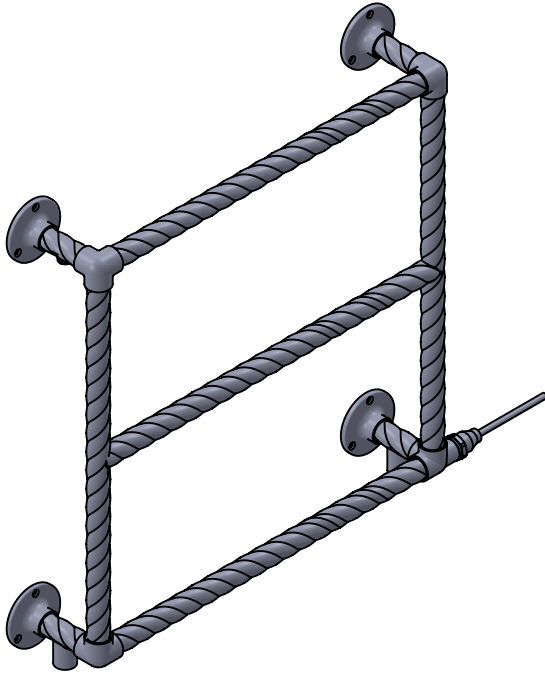
CL002 575x575

Height: 575
Width: 575
Depth: 115
Weight HO: kg
EO: kg

Tube ϕ : 25.4
Pipe Centres: 500
Elec. element if specified: 75
Output @ 50° C Δ T Watts: 120
BTUs: 409

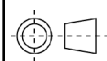
All dimensions in millimetres

Manufactured from ISO/CEN CuZn36As (BS CZ126) brass tube



position of element
if specified dual
energy/ electric

Vogue UK Ltd. reserve the right to alter specifications without prior notice.
ALL MEASUREMENTS ARE NOMINAL DIMENSIONS ONLY, AND ARE NOT BINDING.



SCALE 1:8

VOGUE
TOWEL WARMERS & RADIATORS

Strawberry Lane, Willenhall
West Midlands WV13 3RS
Tel: 01902 387000 Fax: 01902 387001
e-mail: sales@vogueuk.co.uk www.vogueuk.co.uk