

# OG003F-BR

## 1538x525

Height: 1538

Width: 525

Depth: 138

Weight HO: 11.5 kg

EO: 17.5 kg

Tube  $\phi$  : 31.8

Face-Face Connections: 368

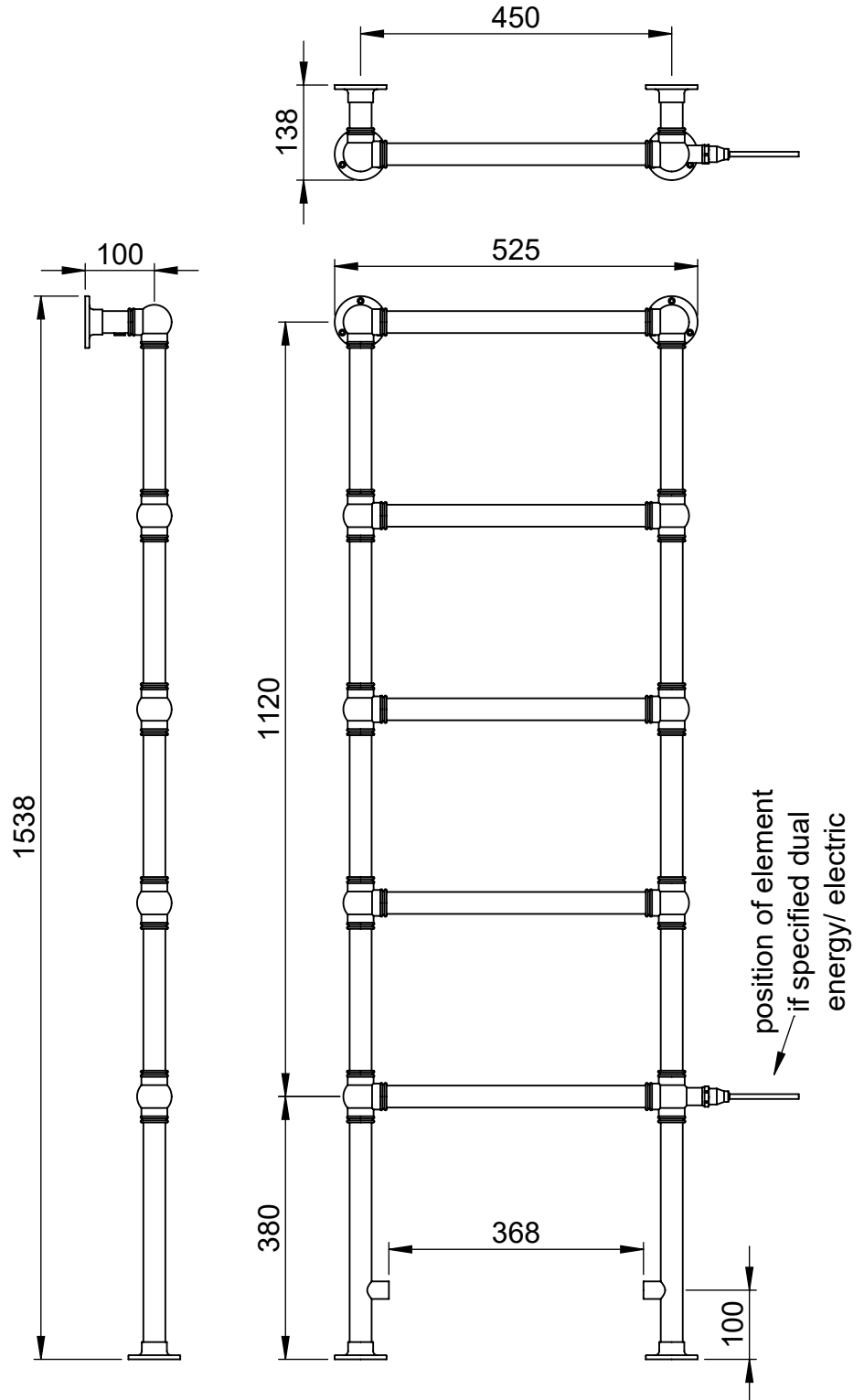
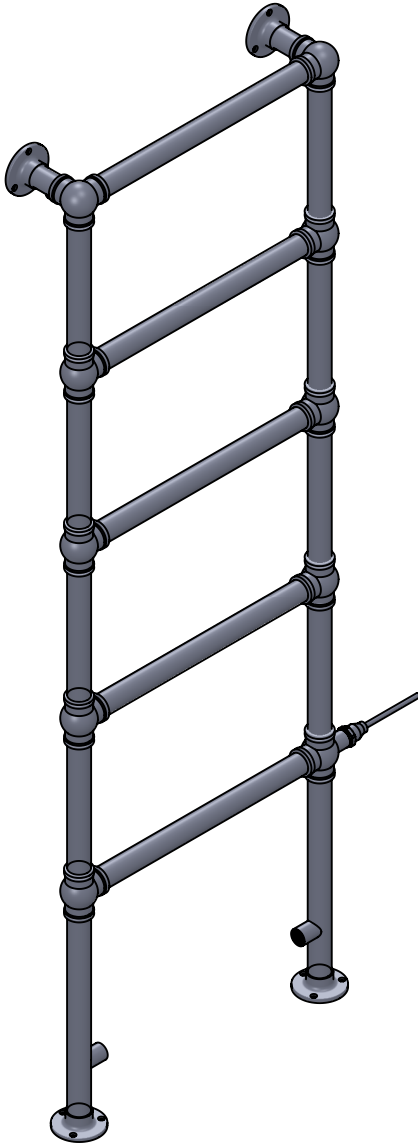
Elec. element if specified: 125

Output @ 50°C  $\Delta$  T Watts: 292

BTUs: 997

All dimensions in millimetres

Manufactured from ISO/CEN CuZn36As (BS CZ126) brass tube



Vogue UK Ltd. reserve the right to alter specifications without prior notice.  
ALL MEASUREMENTS ARE NOMINAL DIMENSIONS ONLY, AND ARE NOT BINDING.



SCALE 1:10

**VOGUE**  
TOWEL WARMERS & RADIATORS

Strawberry Lane, Willenhall  
West Midlands WV13 3RS  
Tel: 01902 387000 Fax: 01902 387001  
e-mail:sales@vogueuk.co.uk www.vogueuk.co.uk