

# OG019E 740x825

Height: 740

Width: 825

Depth: 135

Weight HO: 7.5 kg

EO: 14.5 kg

Tube  $\phi$  : 31.8 + 25.4

Pipe Centres: 750

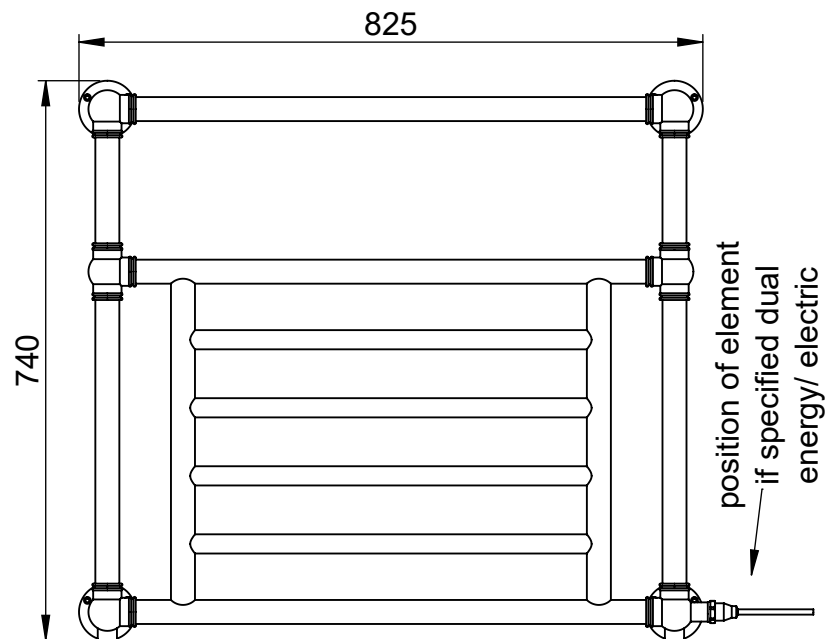
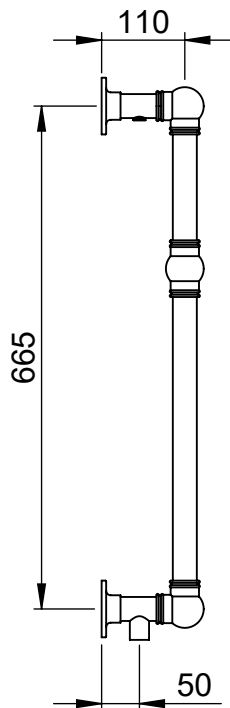
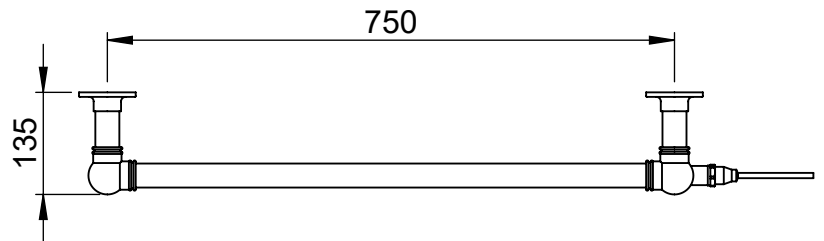
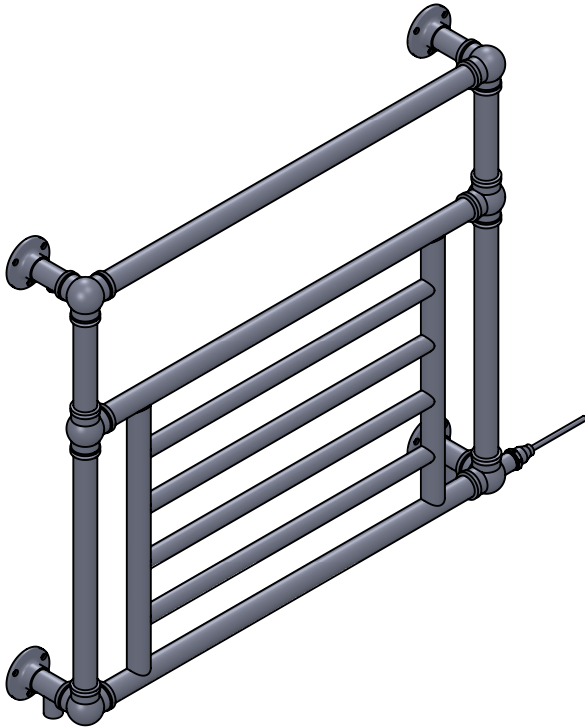
Elec. element if specified: 150

Output @ 50° C $\Delta$  T Watts: 372

BTUs: 1269

All dimensions in millimetres

Manufactured from ISO/CEN CuZn36As (BS CZ126) brass tube



Vogue UK Ltd. reserve the right to alter specifications without prior notice.  
ALL MEASUREMENTS ARE NOMINAL DIMENSIONS ONLY, AND ARE NOT BINDING.



SCALE 1:10

**VOGUE**  
TOWEL WARMERS & RADIATORS

Strawberry Lane, Willenhall  
West Midlands WV13 3RS  
Tel: 01902 387000 Fax: 01902 387001  
e-mail: sales@vogueuk.co.uk www.vogueuk.co.uk