

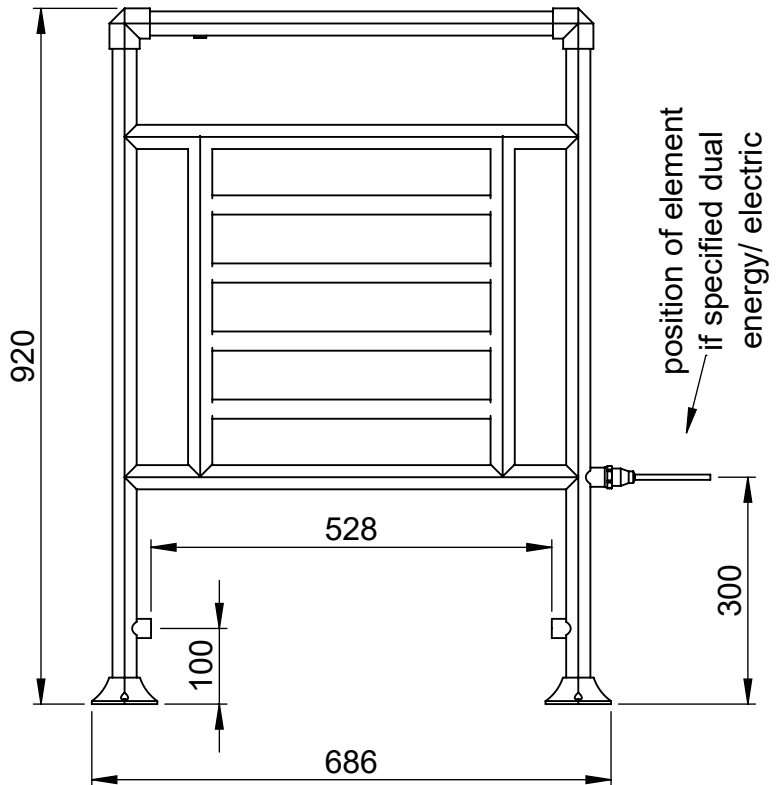
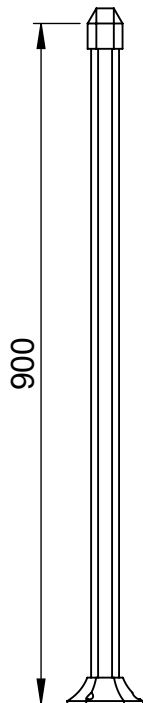
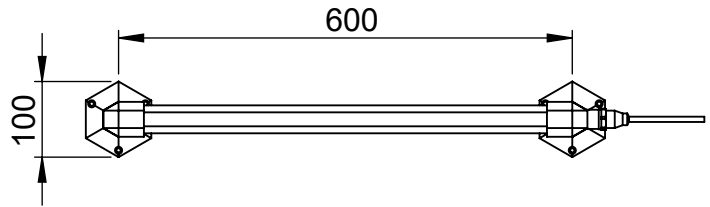
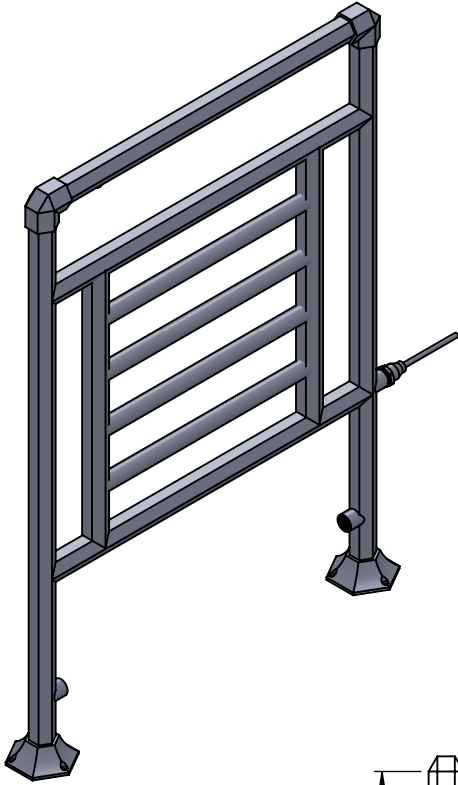
OG013B 920x686

Height: 920
Width: 686
Depth: 100
Weight HO: kg
EO: kg

Tube ϕ : 32 Hex + 25.4
Face-Face Connections: 528
Elec. element if specified: 125
Output @ 50° C Δ T Watts: 351
BTUs: 1198

All dimensions in millimetres

Manufactured from ISO/CEN CuZn36As (BS CZ126) brass tube



Vogue UK Ltd. reserve the right to alter specifications without prior notice.
ALL MEASUREMENTS ARE NOMINAL DIMENSIONS ONLY, AND ARE NOT BINDING.



SCALE 1:10

VOGUE
TOWEL WARMERS & RADIATORS

Strawberry Lane, Willenhall
West Midlands WV13 3RS
Tel: 01902 387000 Fax: 01902 387001
e-mail:sales@vogueuk.co.uk www.vogueuk.co.uk