

OG001 235x575

Height: 235

Width: 575

Depth: 135

Weight HO: 3.5 kg

EO: 7.5 kg

Tube ϕ : 31.8

Pipe Centres: 500

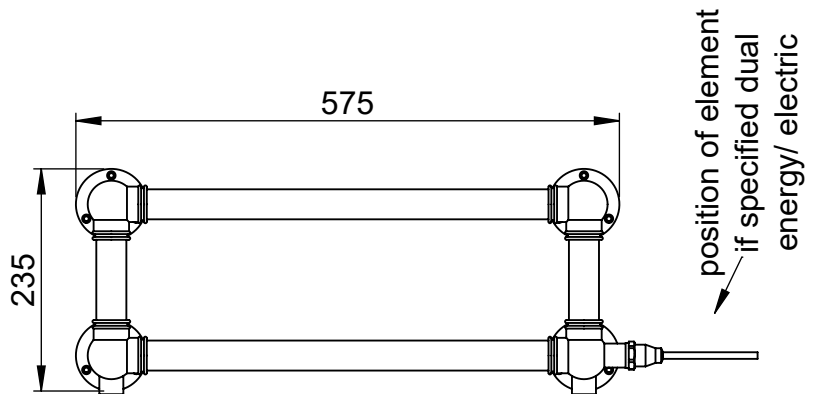
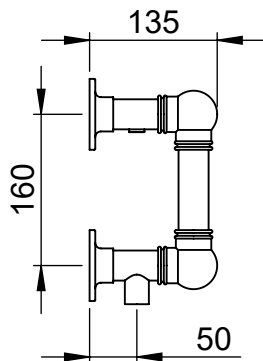
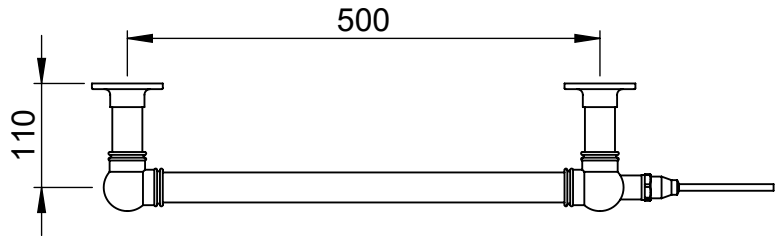
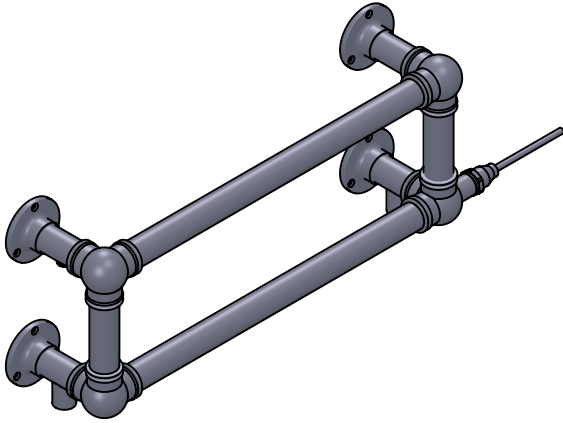
Elec. element if specified: 50

Output @ 50°C Δ T Watts: 79

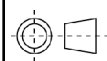
BTUs: 270

All dimensions in millimetres

Manufactured from ISO/CEN CuZn36As (BS CZ126) brass tube



Vogue UK Ltd. reserve the right to alter specifications without prior notice.
ALL MEASUREMENTS ARE NOMINAL DIMENSIONS ONLY, AND ARE NOT BINDING.



SCALE 1:8

VOGUE
TOWEL WARMERS & RADIATORS

Strawberry Lane, Willenhall
West Midlands WV13 3RS
Tel: 01902 387000 Fax: 01902 387001
e-mail: sales@vogueuk.co.uk www.vogueuk.co.uk